

REPRÉSENTATION GRAPHIQUE DU RÉEL

TRAVAUX DIRIGÉS

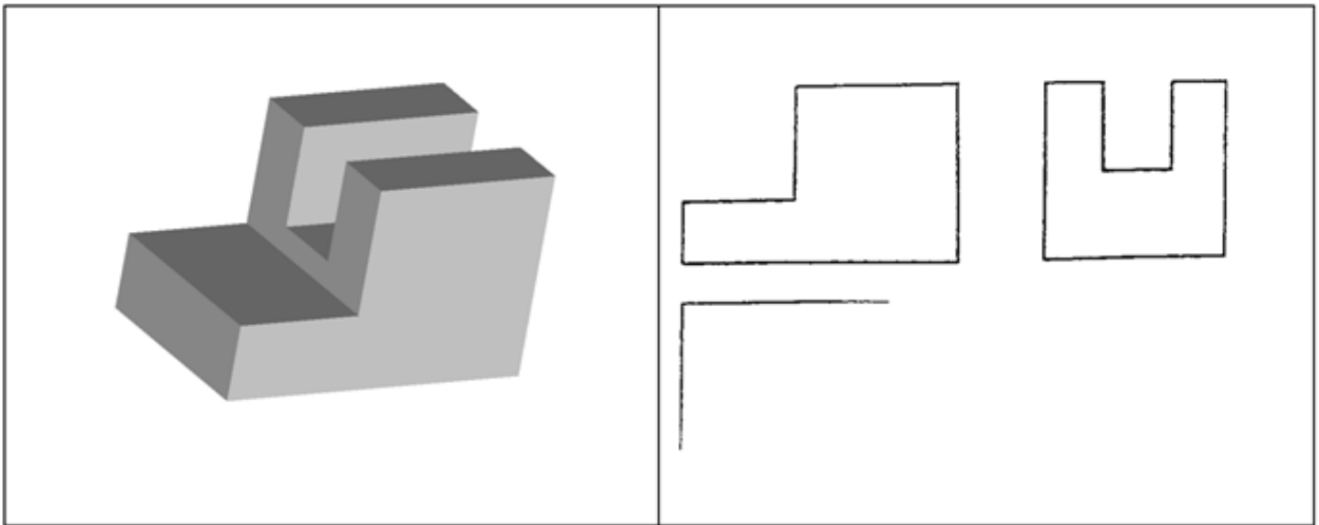
1 Projections orthogonales

Q1 Identifier une vue pour chaque modèle donné

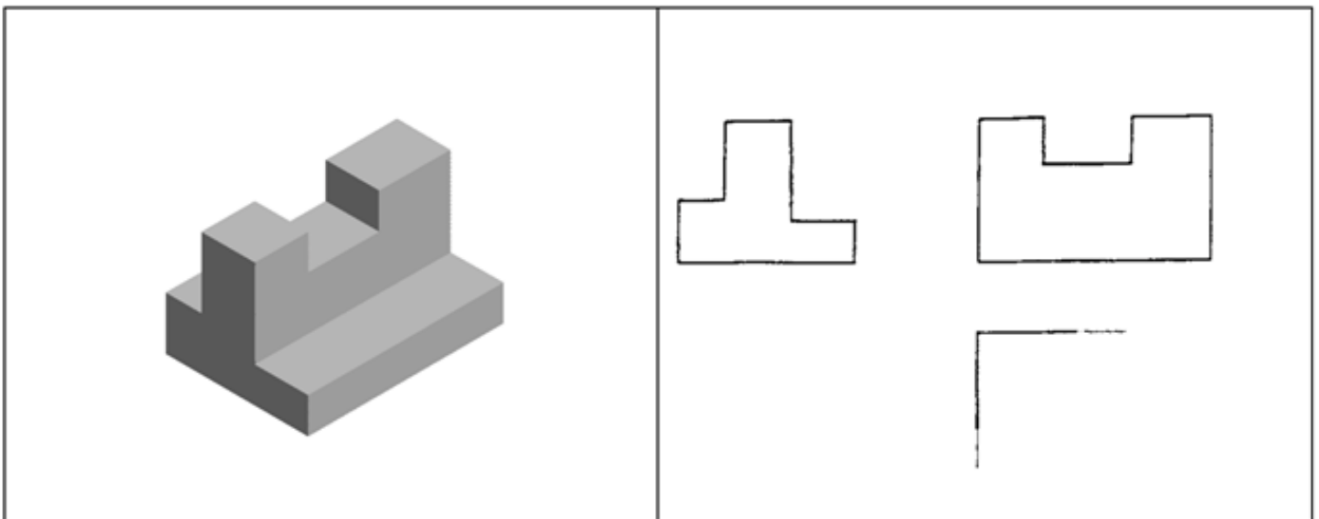
11 			1 	2
			3 	4
			5 	6
			7 	8
			9 	10
			11 	12
			13 	14

Q2 Compléter les vues

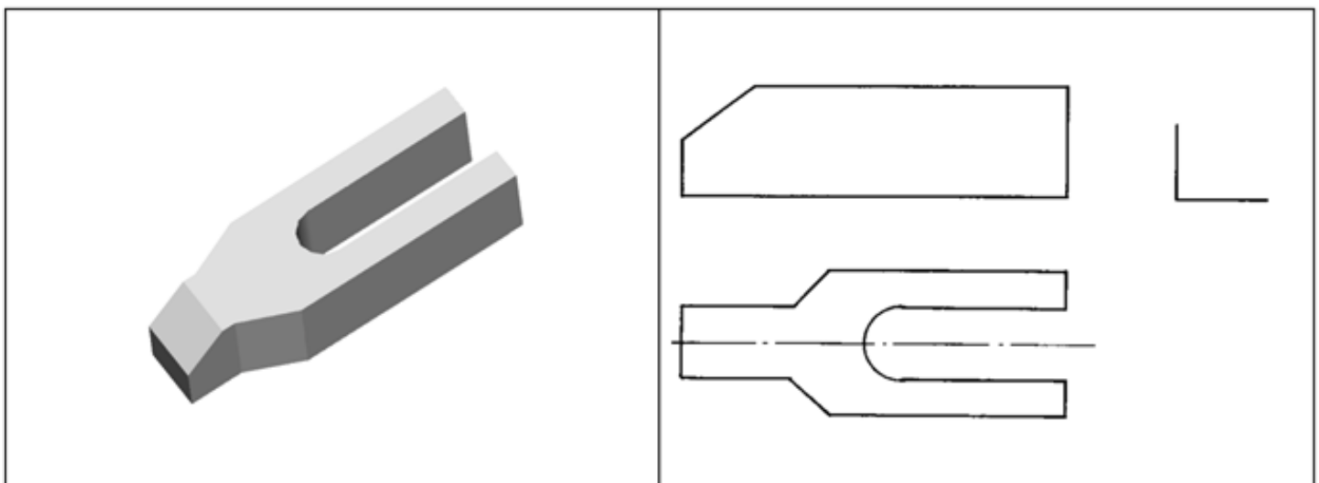
Cas 1 :



Cas 2 :



Cas 3 :



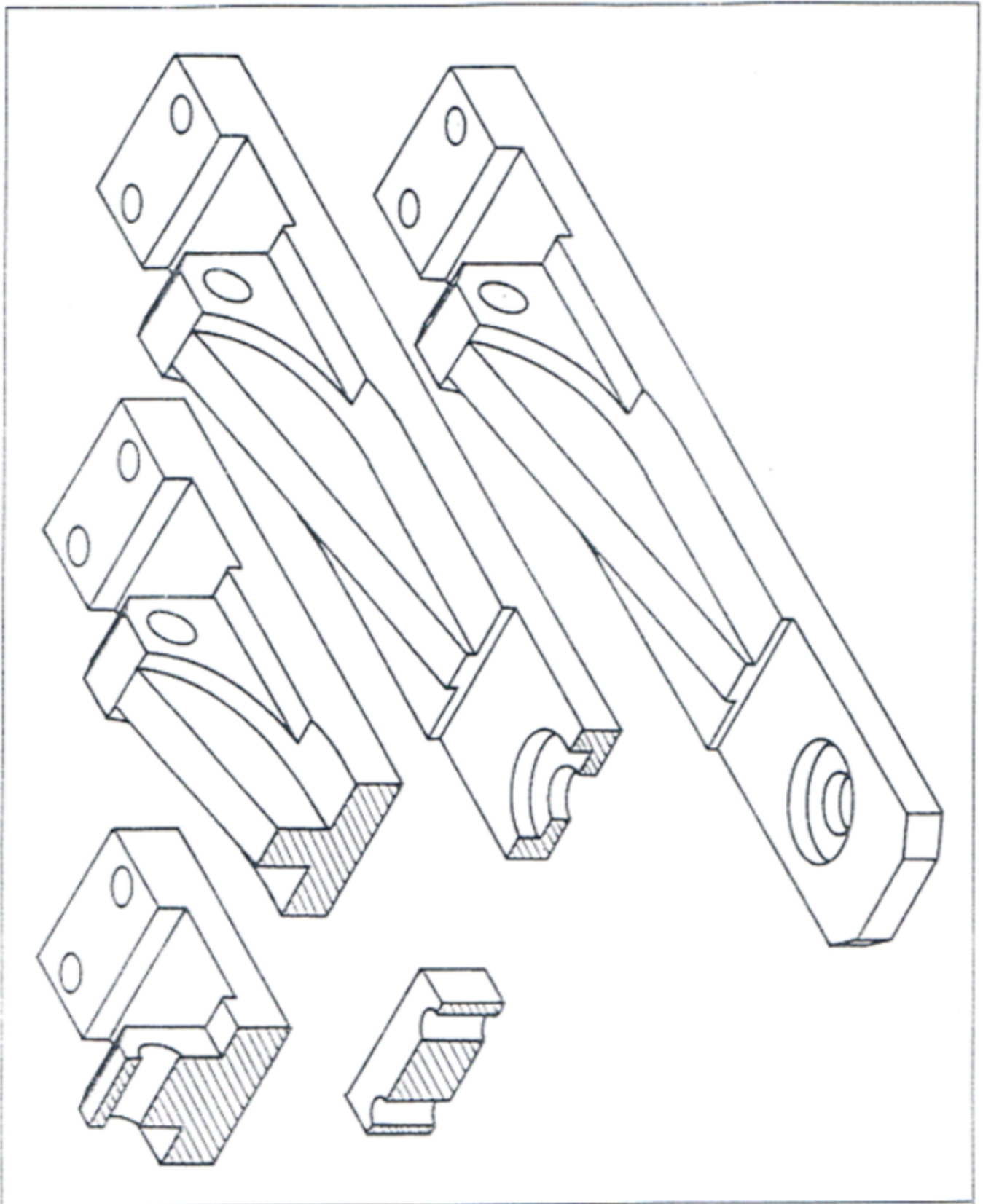
Q3 Compléter les vues

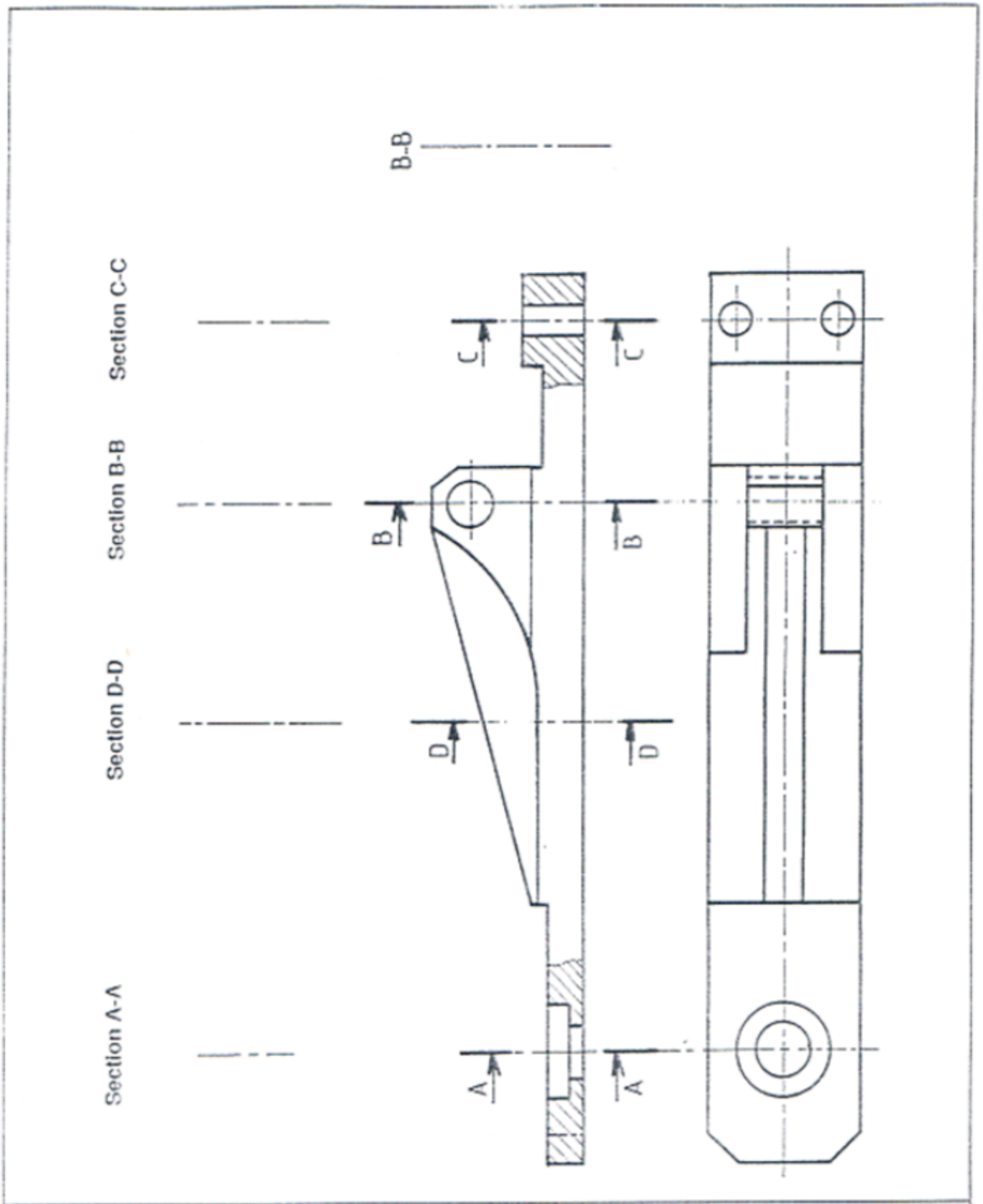
The image contains three distinct sections for technical drawing exercises:

- Top Section:** Shows a 3D object on the left with a slanted top surface and a notch on the right. To its right are three empty 2D view templates: a top view, a front view, and a side view.
- Middle Section:** Shows a 3D object on the right, which is a rectangular block with a circular hole on its front face and a notch at the bottom. To its left are three empty 2D view templates: a top view, a front view, and a side view. Below the 3D object, the text "Le trou est débouchant" is written.
- Bottom Section:** Shows a 3D object on the left, which is a rectangular block with a semi-circular cutout on its front face. To its right are three empty 2D view templates: a top view, a front view, and a side view.

2 Coupes et sections

Q4 Représenter les vues demandées en respectant les conventions du dessin technique





Q5 Représenter les vues en coupe en respectant les conventions du dessin technique

